

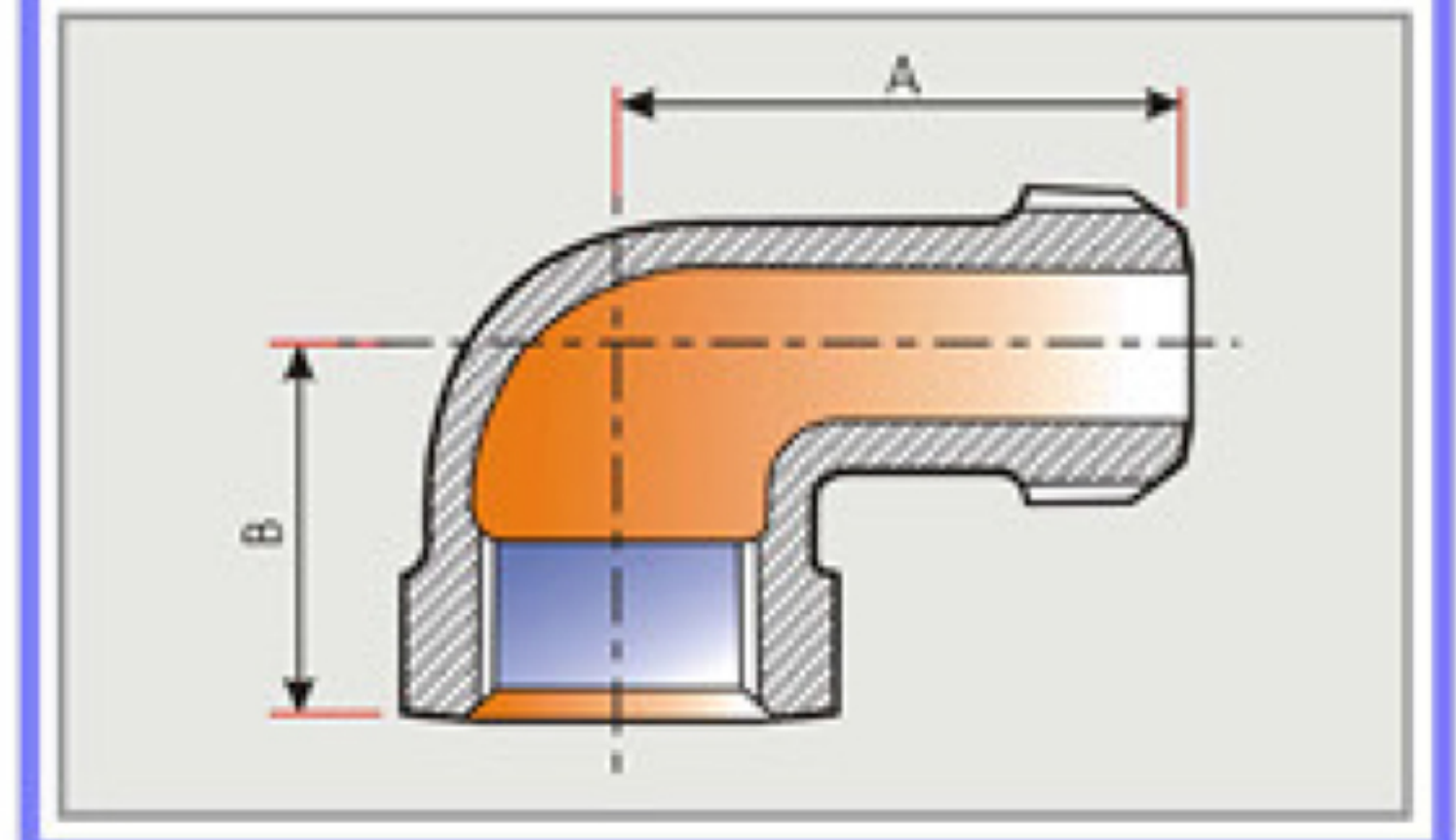
**PACKING LISTS and SPECIFICATION STANDARD**

**MALLEABLE IRON PIPE FITTINGS CLASS 300 lbs.**

Size (inch)	Dimensions		Inner Box Pcs./Box	Master Ctn. Pcs./Ctn.	NO.of Inner Box	Weight/Pcs.	N.W./Ctn. (Kgs.)
	A	B					
1/4	36.6	23.9	180	360	2	0.0696	25
3/8	41.4	26.9	120	240	2	0.1162	28
1/2	50.8	31.7	40	80	2	0.1820	15
3/4	55.6	36.6	30	60	2	0.2858	17
1	65.0	41.4	20	40	2	0.4660	19
1 1/4	73.1	49.3	12	24	2	0.7638	18
1 1/2	79.5	54.1	8	16	2	1.0020	16
2	93.7	63.5	6	12	2	1.6500	20
4	148.0	105.0	1	2	2	6.3800	12

**STREET  
ELBOWS 90°**

**BXHSL 90**



\* THE ACTUAL WEIGHT CAN VARY BY  $\pm$  3%